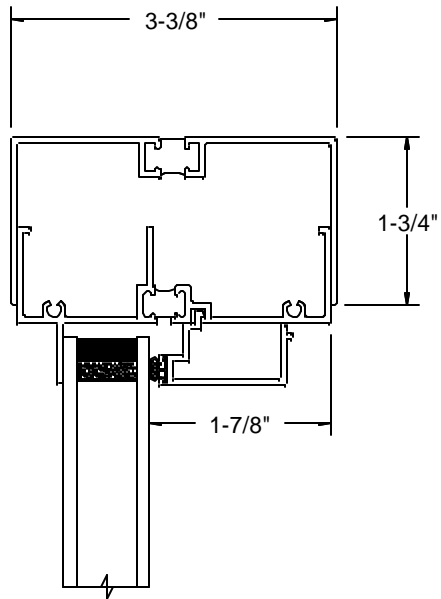
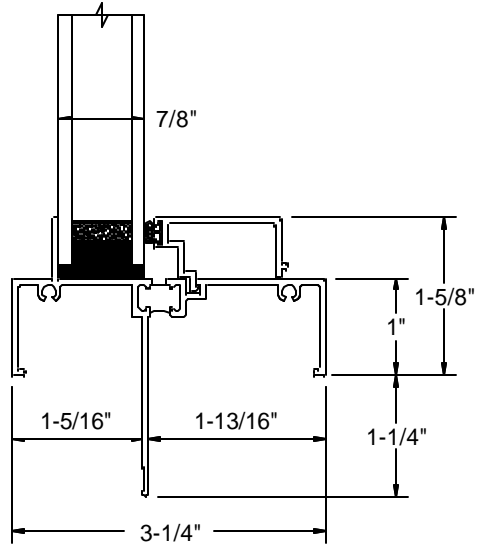


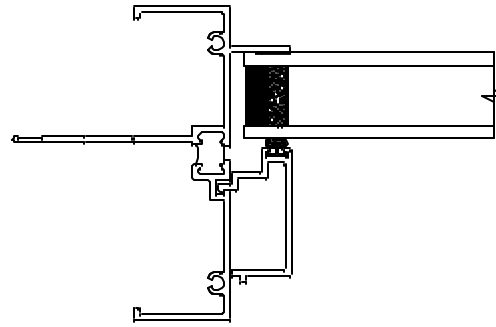
1



2

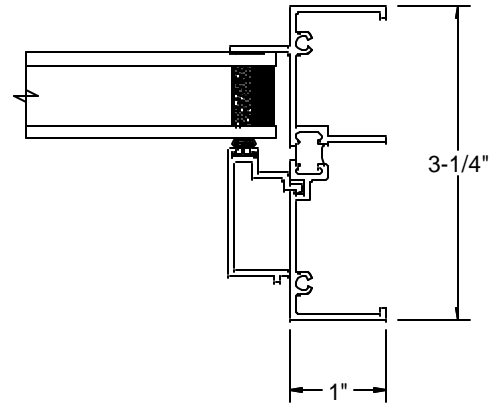


3

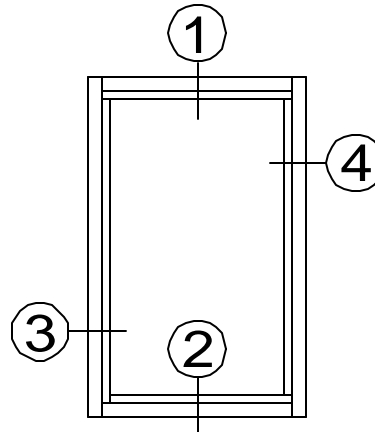


Nailing Fin for New Construction

4



Box Frame for Replacement



West Window Corporation

Industrial Park
Martinsville, Virginia

P.O. Drawer 3071
(276)638-2394

West-Prime Thermal Fixed FW-C55

Head, Jamb, and Sill Detail

8-2-10

Scale: Half

Drawn: DB

Sheet: 2 of 3