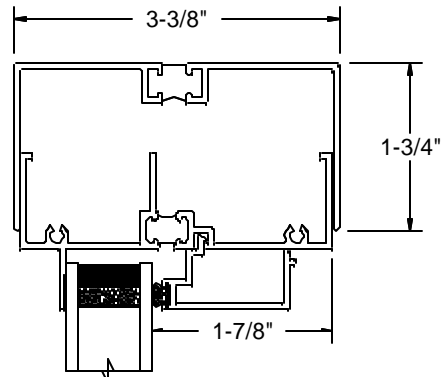
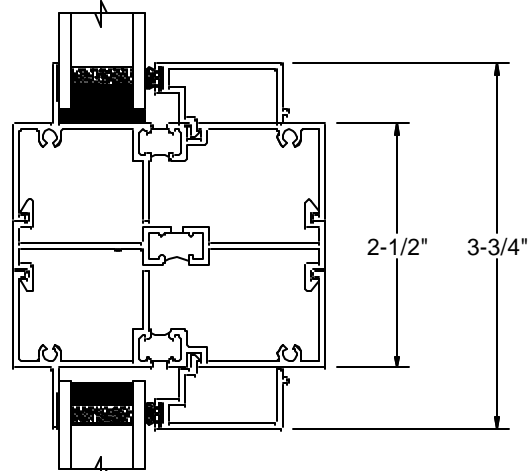


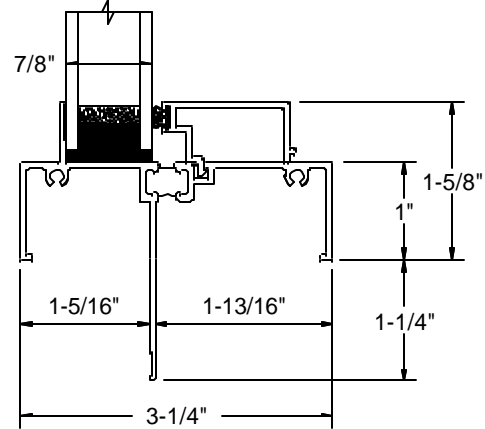
1



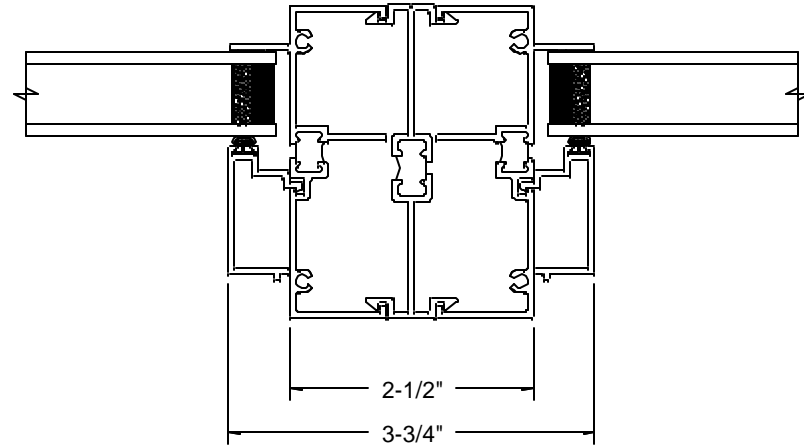
2



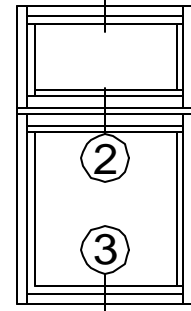
3



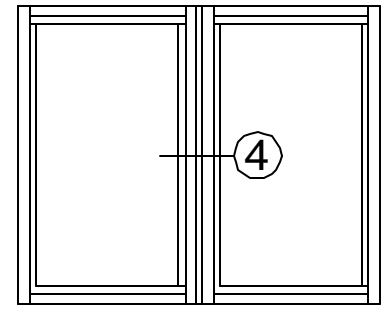
4



1



4



West Window Corporation

Industrial Park
Martinsville, Virginia

P.O. Drawer 3071
(276)638-2394

West-Prime Thermal Mullion Detail

Vertical Mullion and Stacking Detail

8-9-10

Scale: Half

Drawn: DB

Sheet: 3 of 3