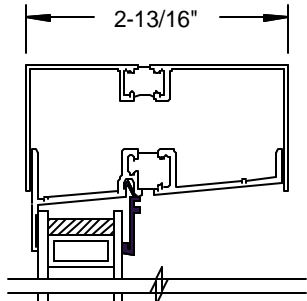
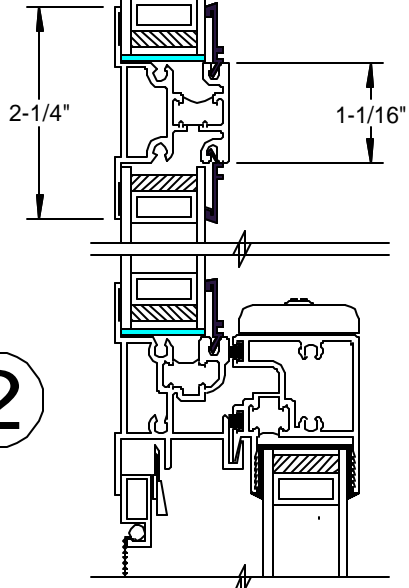


Form 4978

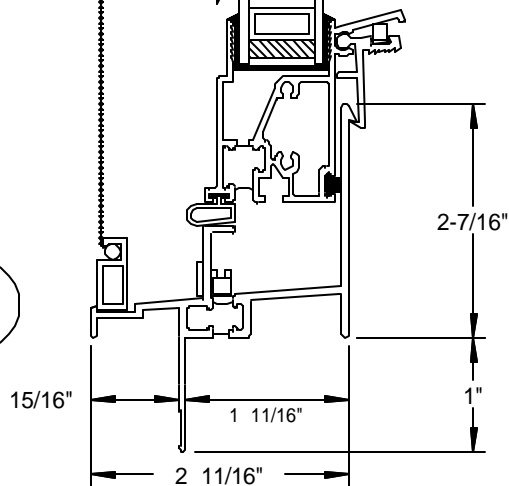
1



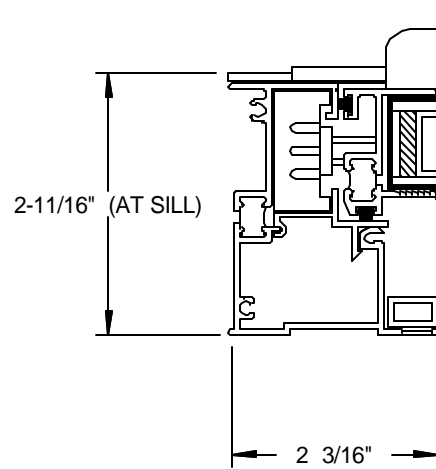
2



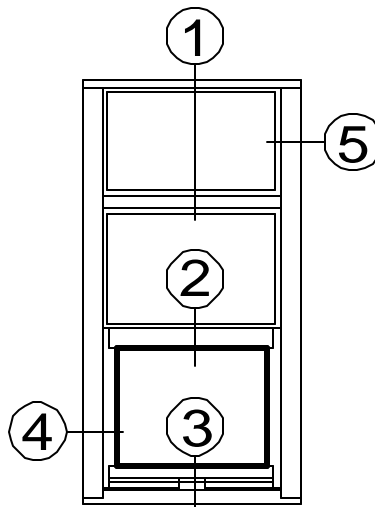
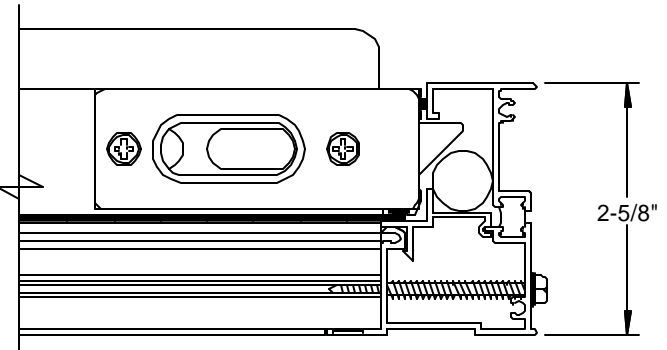
3



4



5



West Window Corporation

Industrial Park
Martinsville, Virginia

P.O. Drawer 3071
(276)638-2394

Westco Single Hung Window H-C50

With Muntin to Divide Top Lite

12-3-2010

Scale: Half

Drawn: DKB

SHEET: 2 OF 2