

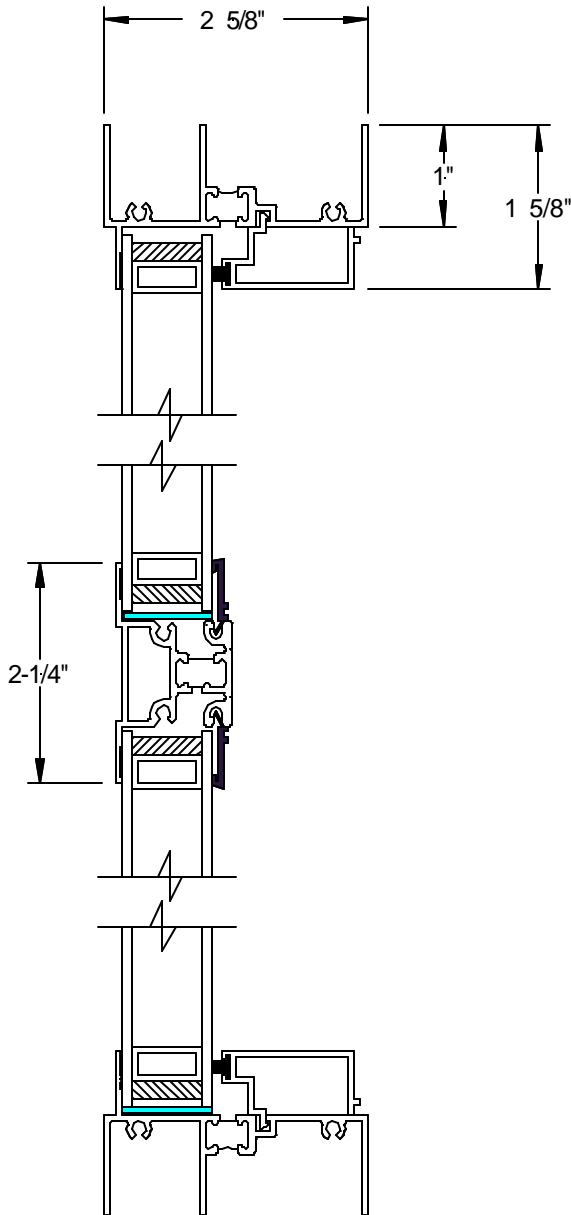
Commercial Aluminum Fixed Unit (SH, SL) FW-C85

Standard Features

- 2-5/8" Frame Depth
- T-6063 Aluminum Extrusions with .062" walls
- Thermally Broken Frame
- Factory Glazed with 7/8" Insulated Glass with Super Spacer[®] warm edge spacer technology for superior thermal performance.
- Equal Leg Frame
- Interior Glazed – Field Servicable. The glazing bead can be removed and reinstalled to conceal installation fasteners.
- Architectural paint finish meets AAMA 2603. Colors available for normal lead times: White, Bronze, Tan, and Clear Anodized. For large projects, custom colors are available on a special order basis – please contact our office for details.
- Available with nailing fin for new construction or without nailing fin for replacement applications.

Optional Features

- Numerous high performance glazing options
- Mullion for multiple units
- Many Grid Between Glass (GBG) configurations are available for greater design flexibility and low maintenance.
- Three-Piece Mullion and Two-Piece Receptor System
- Optional Face Flange
- Extruded Aluminum Muntin to divide glass
- 7/8" Foam Insulated Panel is especially useful for concealing drop type ceilings.



The Westco Commercial Aluminum Fixed Unit for the Single Hung and Slider is a heavy-duty aluminum light commercial window with the availability of an extruded aluminum muntin bar for dividing the glass as required. The muntin bar allows you to configure the window many different ways to solve your unique design requirements, such as installing an insulated panel in the top lite to conceal a drop ceiling or by adding multiple vertical muntins to replicate the look of existing windows. The Westco Commercial Aluminum Fixed Unit has been used in numerous schools, hotels, and other commercial and residential applications for many years.