

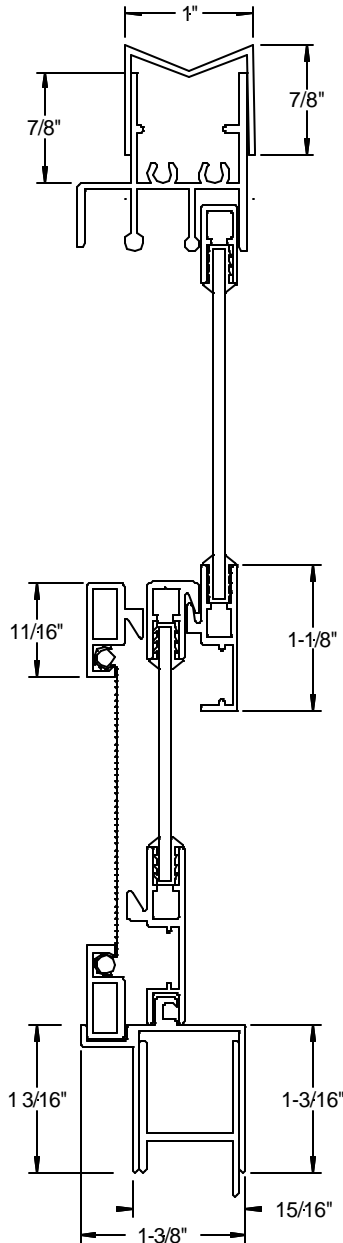
### “The Invisible Storm Window”

#### Standard Features

- Flush mount expander style Storm Window
- T-6063 Aluminum Extrusions, .050” walls in main frame, .0465” walls in sash profiles
- 1” Expanders on jambs, 7/8” Expander on head
- Sashes and screen are side-loaded into the frame for outstanding structural strength.
- Wide fingertip operated zinc die-cast sash slide bolts
- Sash corners are securely fastened with internal self-locking zinc die-cast corner gussets – no exposed fasteners
- Extruded full-width aluminum interlock at meeting rail
- Extruded tongue and groove sash to frame closure at frame sill for improved structure, air performance, and water control.
- Both sashes are channel glazed using a flexible vinyl glazing gasket and can be re-glazed if necessary.
- When ventilating with bottom sash fully raised, the screen interlocks with the sash for improved insect control (*unless meeting rail is moved from the standard location*).
- Architectural paint finish meets AAMA 2603. Colors available for normal lead times: White, Bronze, and Tan. For large projects, custom colors are available on a special order basis – please contact our office for details.

#### Optional Features

- Matching Picture Window
- Large sill expander for steeply sloped sills
- Numerous glazing options, tempered glass
- Mullion for multiple units
- Beveled Side Expander for shallow openings



*The preservation and renovation of homes and buildings of historic and architectural significance regularly presents a challenge concerning windows. Often, due to restrictions and guidelines enacted by localities, existing architectural details, such as windows, must be preserved. The Velv-A-Lume Storm Window has been used extensively in these situations and has been embraced by many Historical Commissions. Designed to fit flush within the existing window opening, it's often difficult to detect that a storm window has been installed.*